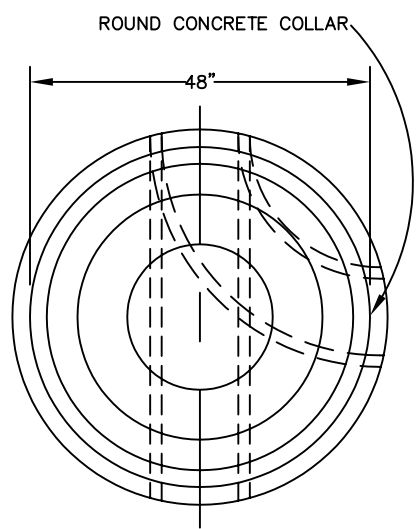


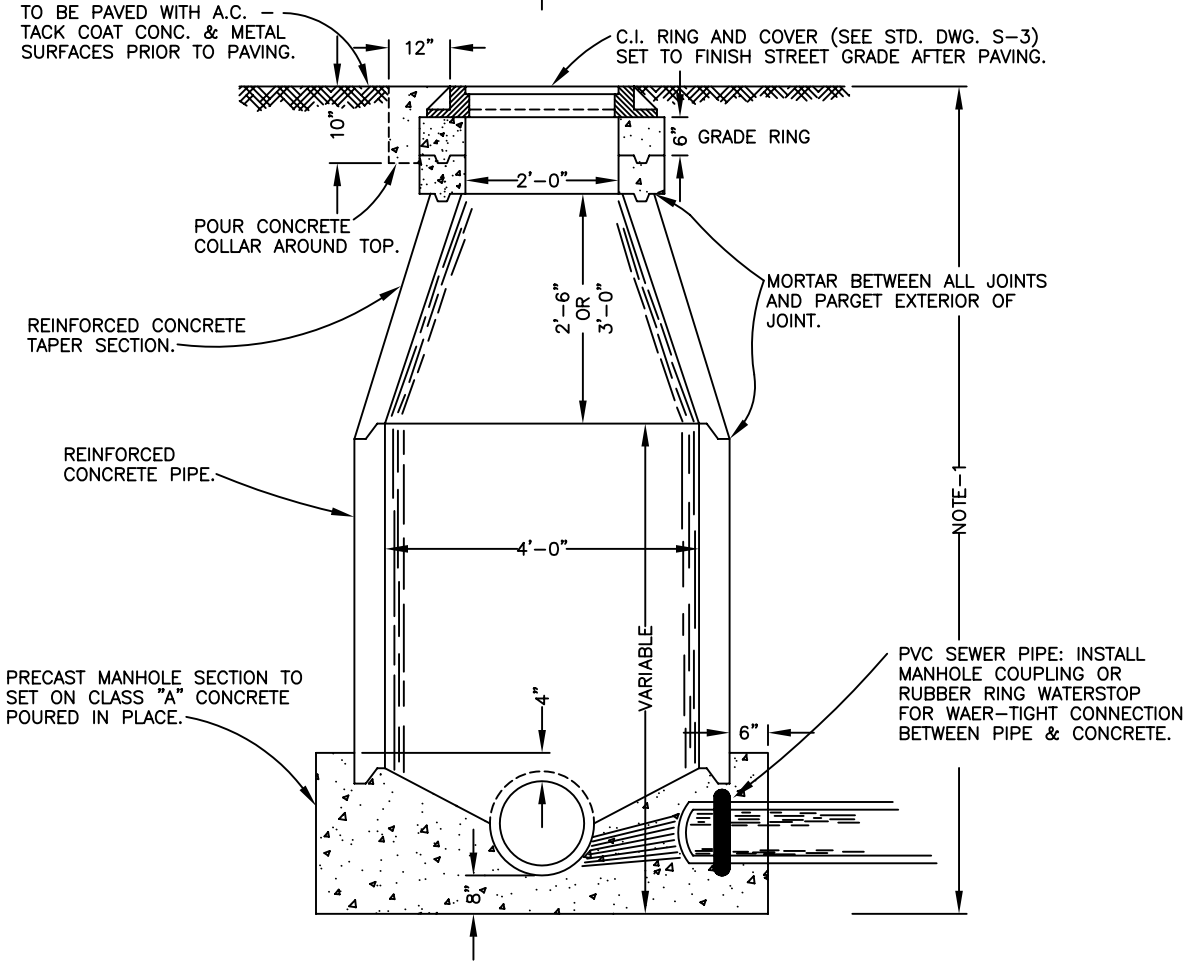
PLAN VIEW SHOWING QUARTER BEND TO BE USED IN RIGHT ANGLE FLOW MANHOLES.



QUARTER TURNS TO BE CONSTRUCTED TO FORM A SMOOTH FLOW LINE OF SAME SHAPE AND PATTERN AS BOTTOM WALL OF PIPE.

ALL STRAIGHT PIPE TO BE LAID THROUGH MANHOLES WITH TOP HALF REMOVED TO PROVIDE AT LEAST A 44" OPENING. ROUGH BROKEN EDGES SHALL BE MORTARED SMOOTH. THIS ALSO INCLUDES UPPER ENDS OF LINE MANHOLE. AN ALTERNATE METHOD VIA HAND SHAPING MAY BE USED, SUBJECT TO APPROVAL & INSPECTION BY THE COUNTY ENGINEER.

TO BE PAVED WITH A.C. - TACK COAT CONC. & METAL SURFACES PRIOR TO PAVING.



- NOTES:
1. FOR MANHOLES OF DEPTHS GREATER THAN 8'-0" (FROM LOWEST INVERT TO FINISHED GRADE), FOUNDATION SLAB SHALL BE ENGINEERED/DESIGNED AND DETAILS SUBMITTED TO THE COUNTY ENGINEER FOR APPROVAL.
 2. PRE-CAST SECTION, ADJUSTMENT RINGS AND TAPERED SECTIONS SHALL BE CLASS II R.C.P. IN ACCORDANCE WITH ASTM C478-72. ELLIPTICAL SINGLE LINE REINFORCEMENT WILL NOT BE PERMITTED.

Spec's By _____	COUNTY OF MADERA	Date 7-1-81
Drawn By <u>J. SHIELDS</u>		Scale NONE
APPROVED BY _____		Drawing No. S-1
REVISIONS	8/1/02	