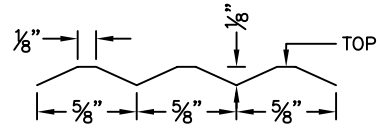
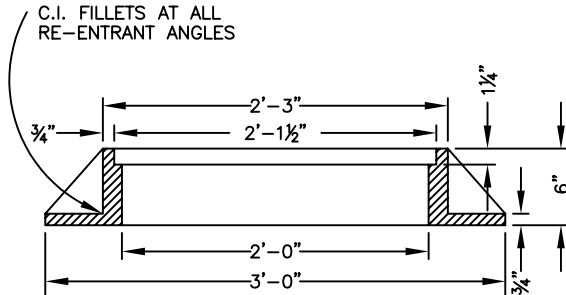


NOTE:

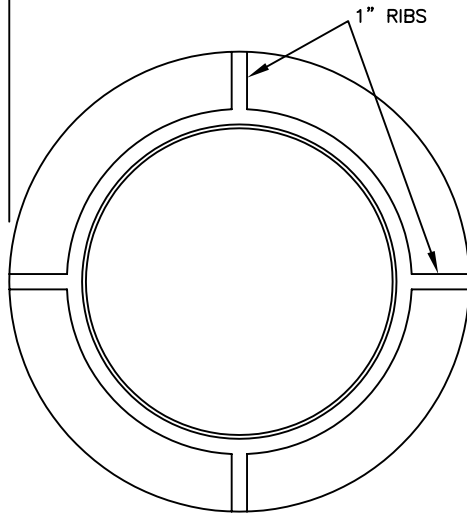
1. ALL MATING CONTACT SURFACES ON THE FRAME AND COVER SHALL BE MACHINED.
2. IDENTIFY ALL MANHOLE COVERS "SEWER" OR "STORM DRAIN" RESPECTIVELY AS SHOWN.



DETAIL OF WAFFLE PATTERN



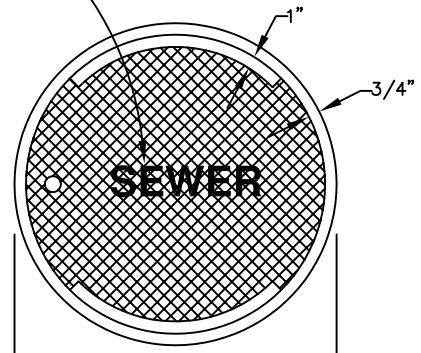
CROSS SECTION



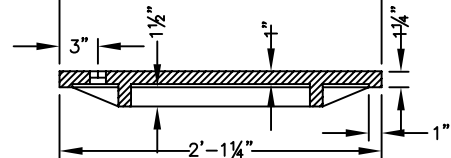
PLAN

MANHOLE FRAME

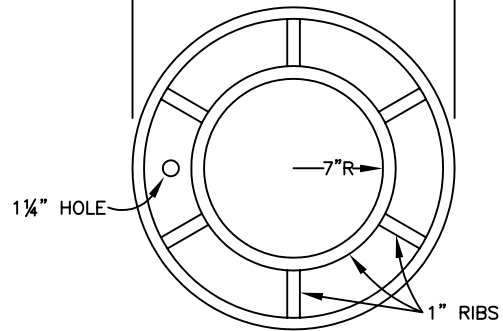
SEE NOTE #2



TOP



CROSS SECTION



BOTTOM

MANHOLE COVER

Spec's By _____	<b>COUNTY OF MADERA</b>	Date 7-1-81
Drawn By <u>J. SHIELDS</u>		Scale NONE
APPROVED BY _____		Drawing No. S-3
REVISIONS	8/1/02	